

# Broil King®

---

---



9812-62  
9812-63



9812-52  
9812-53

---

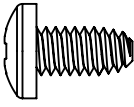
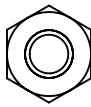
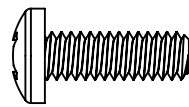
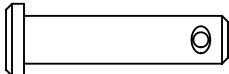
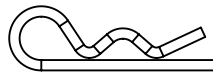
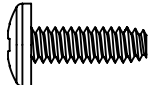
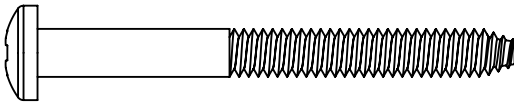
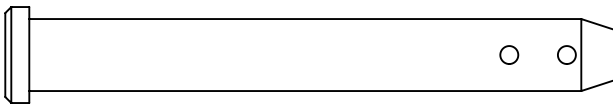
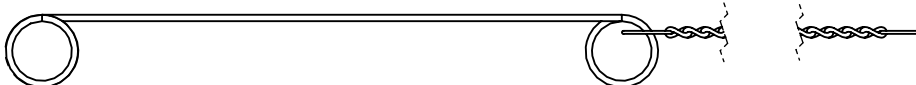
---





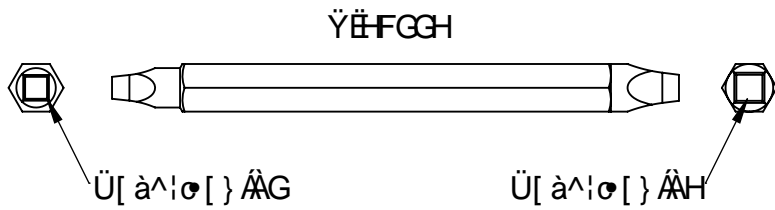
POËÜÖY OEÜÒÁP ÔŠWÖÖÖÁ



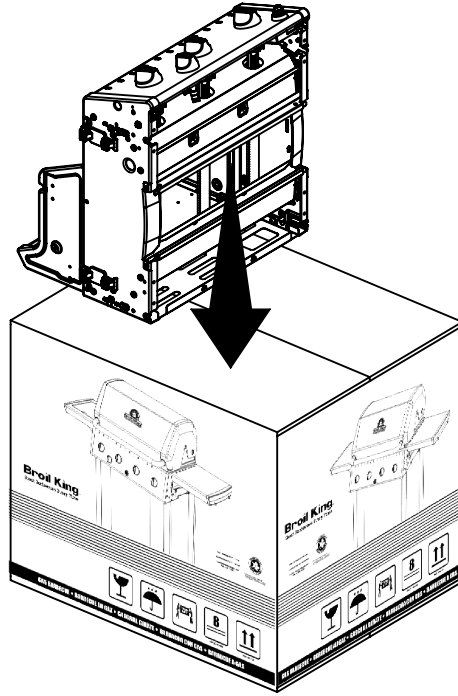
YËG ÎÍ 	YËFĪ JH 	YËGF€ 
ÛFGHÍ 	ÛFGHH 	ÛHÍ €JI 
YËFĪ ÎG 		çÌ
FEG €FH 		çG
GEEÉÍ EEEÉ 		çF



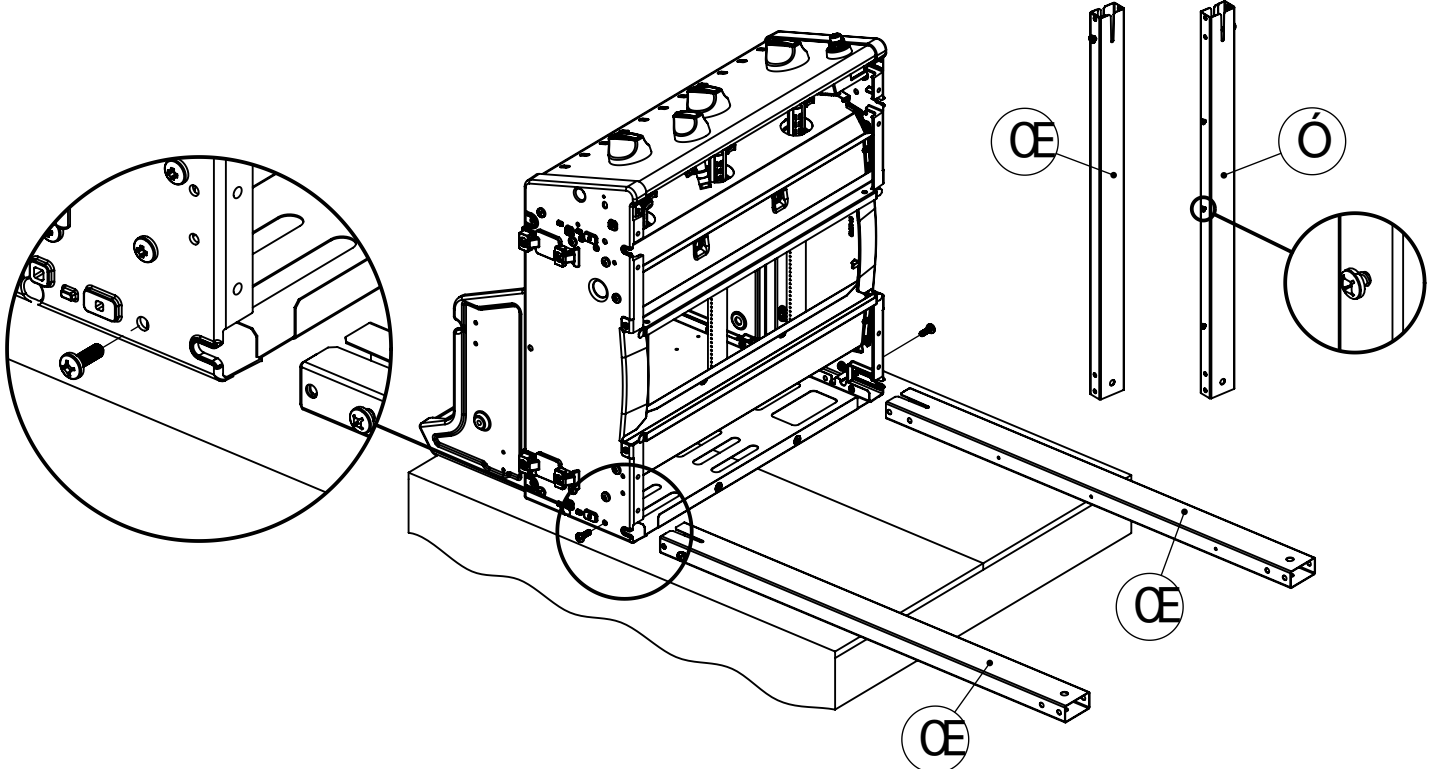
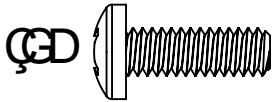
VUUŠÛÄÜÒÛWÖÜÖÖ

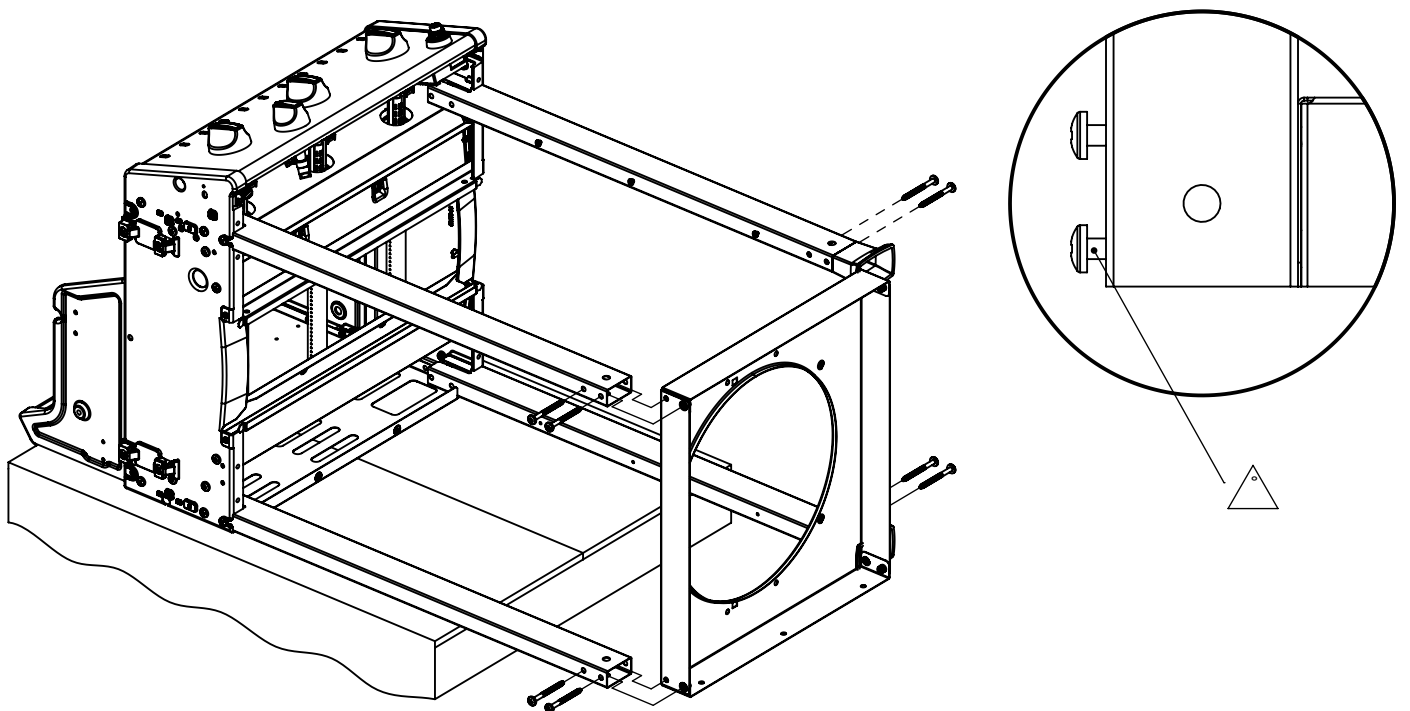
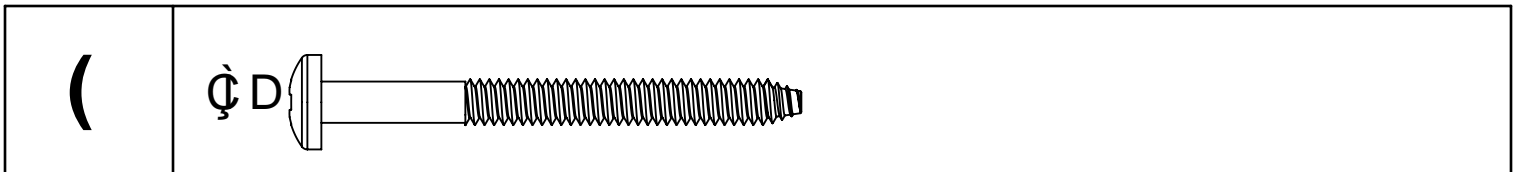
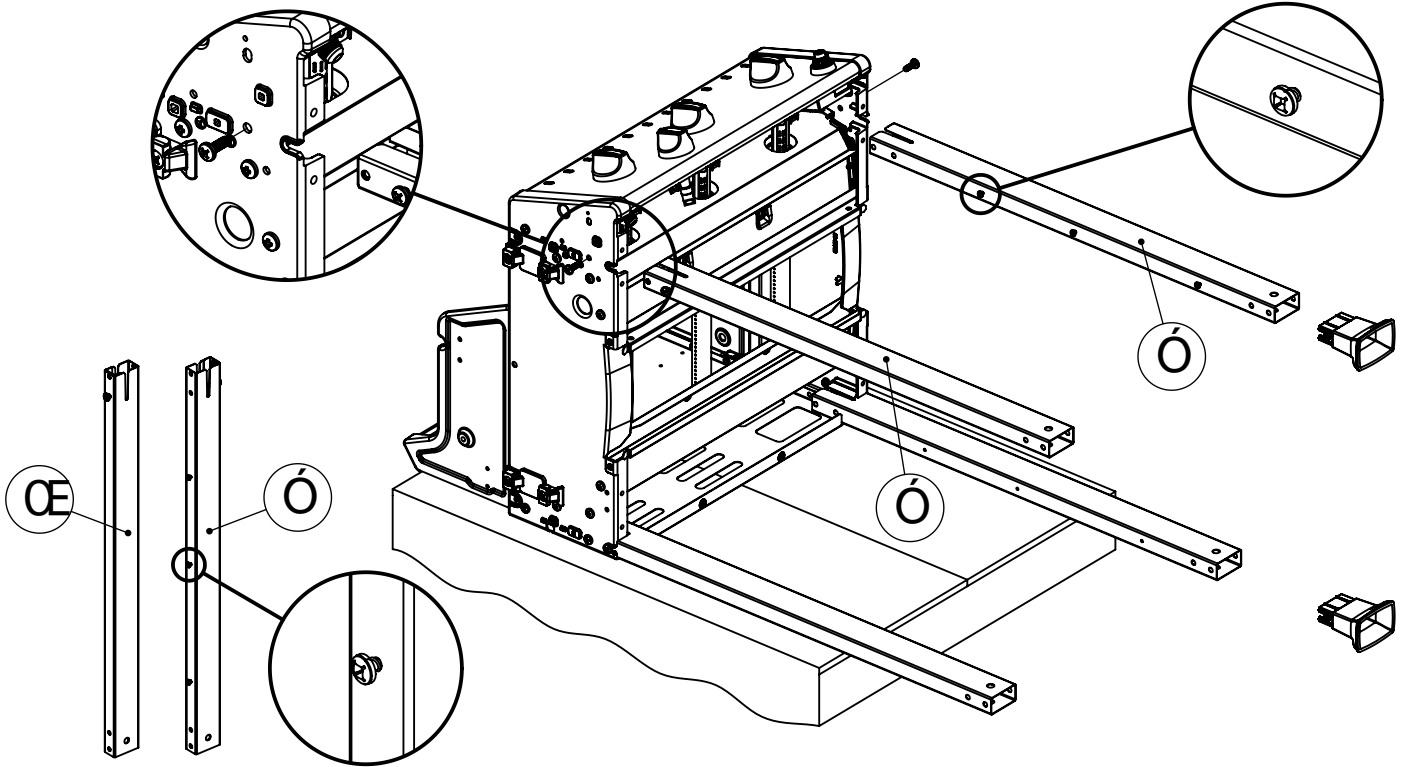
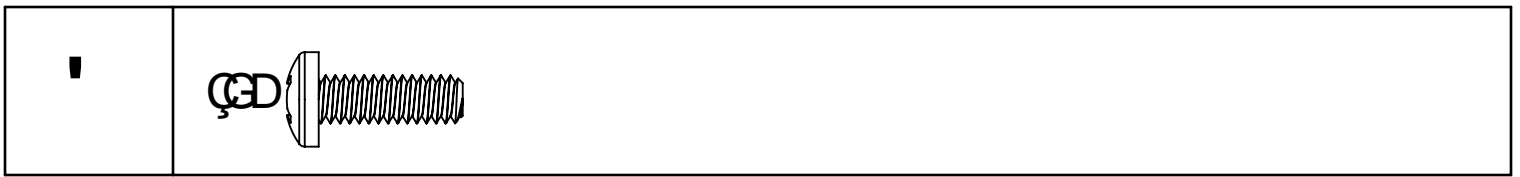


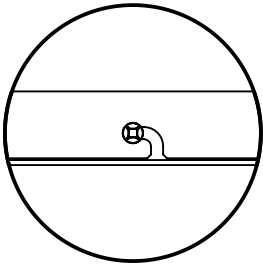
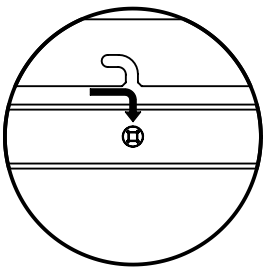
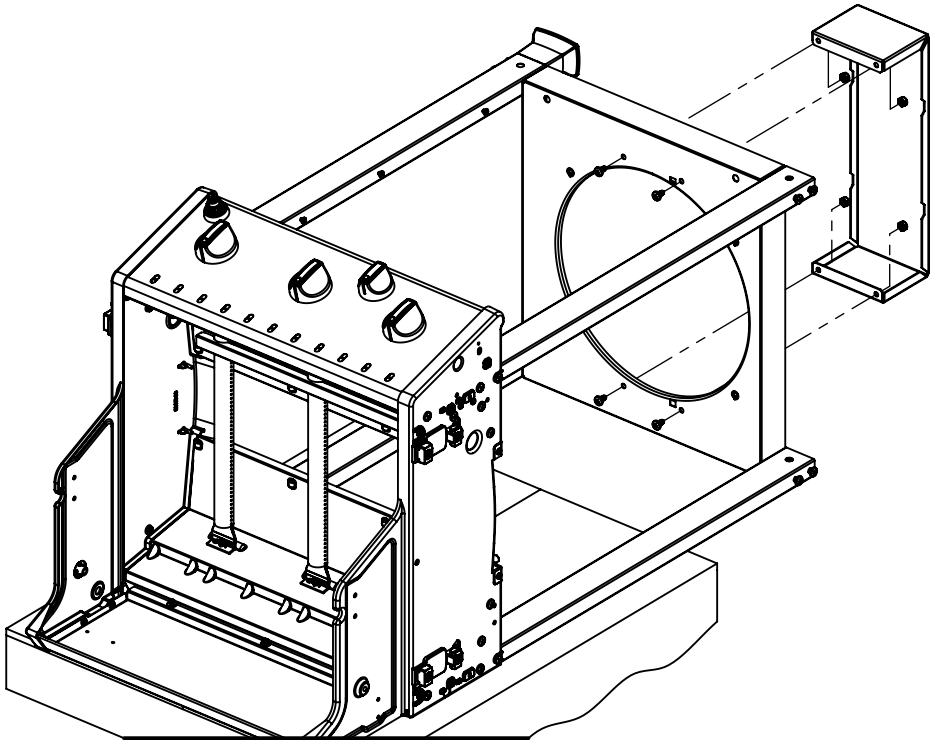
%



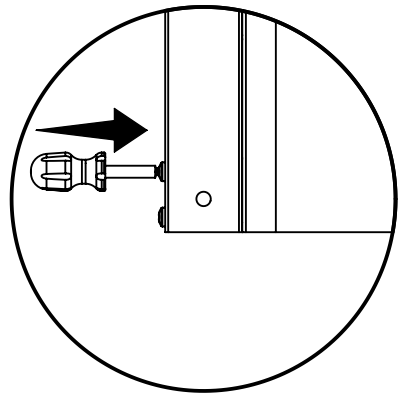
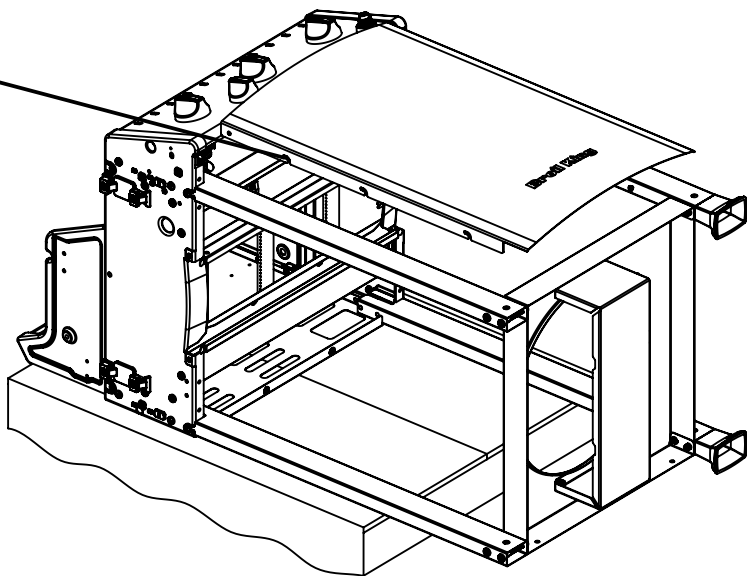
&



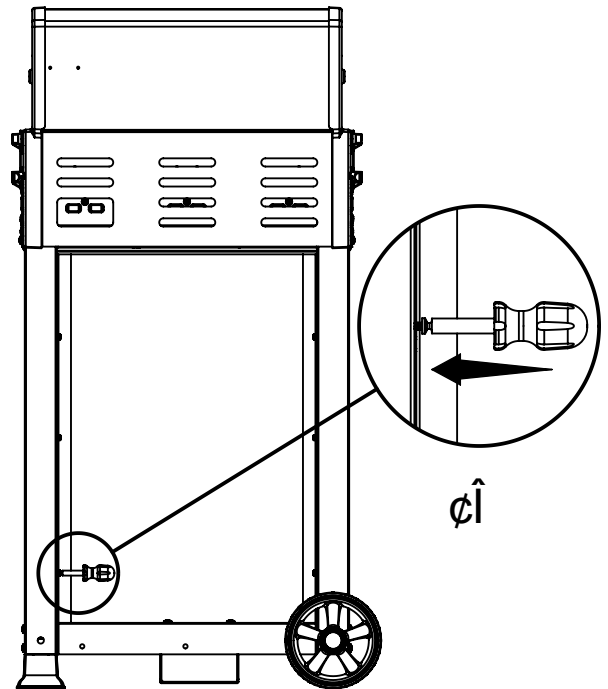
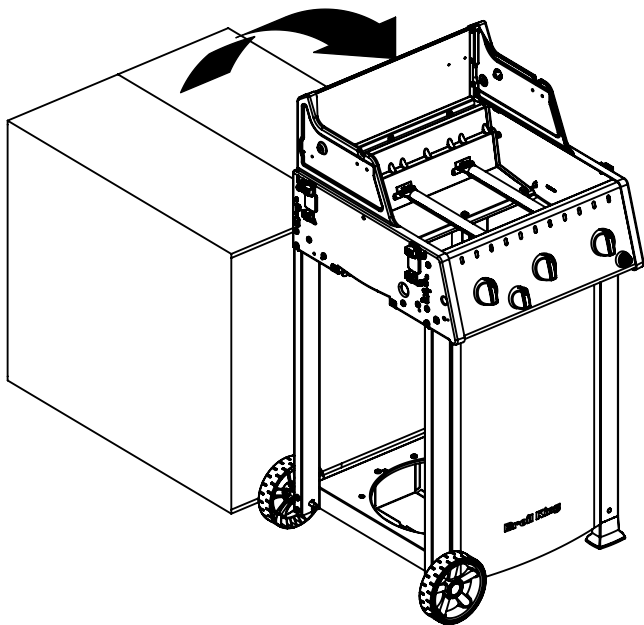
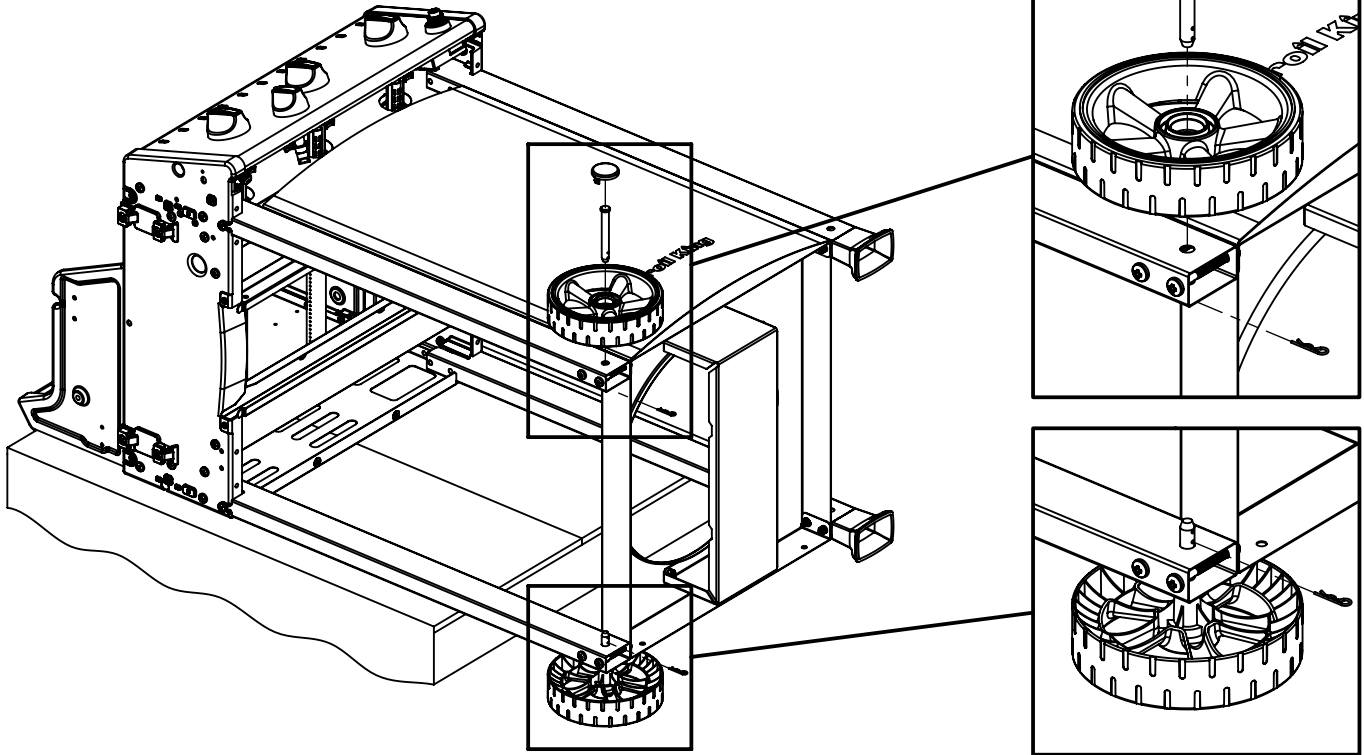
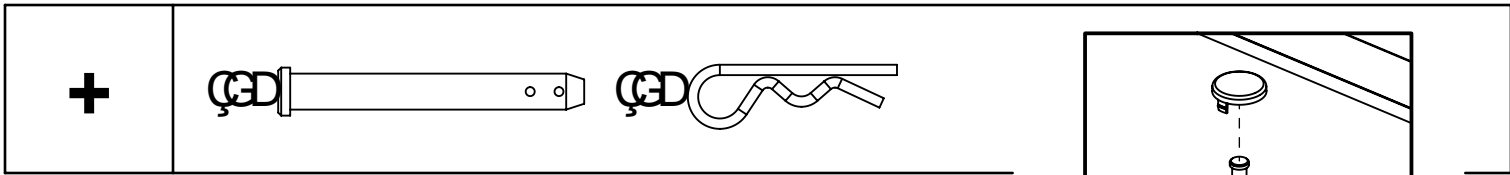




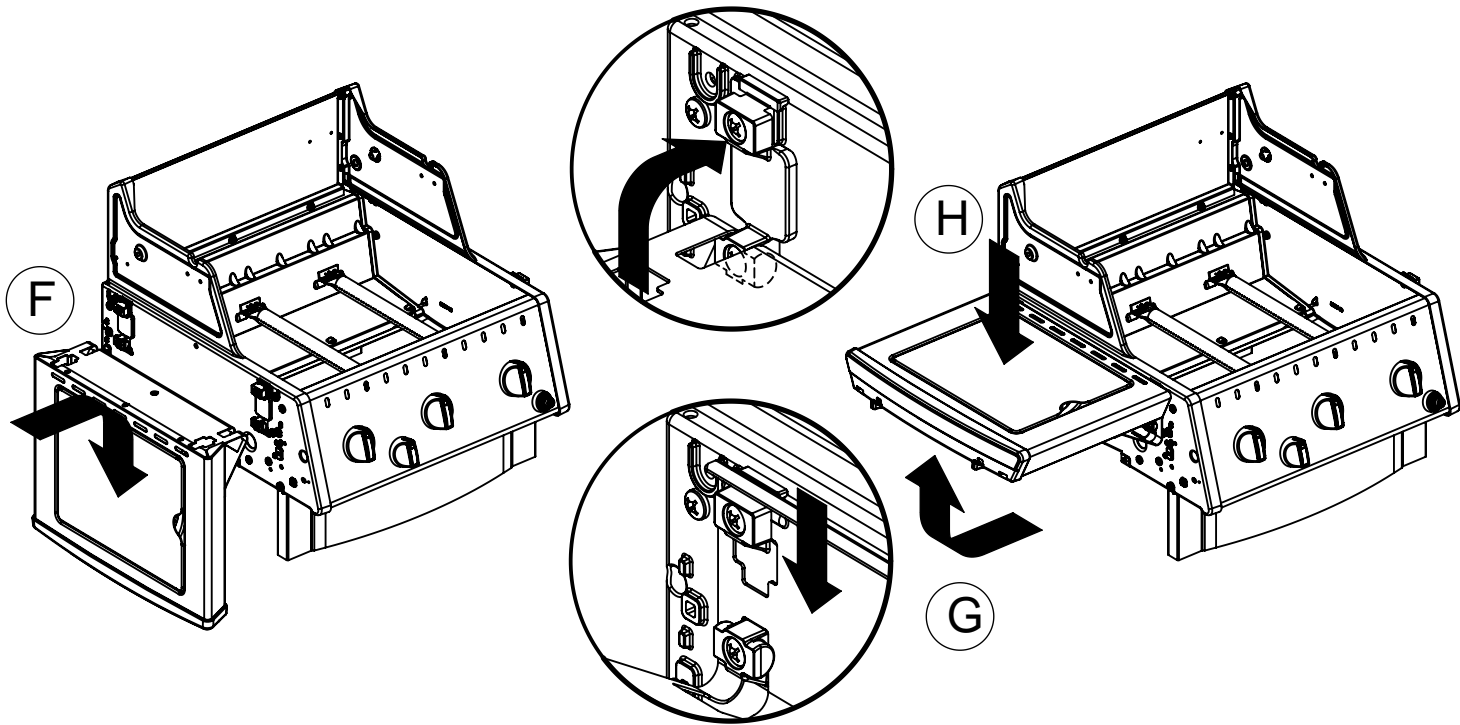
çî



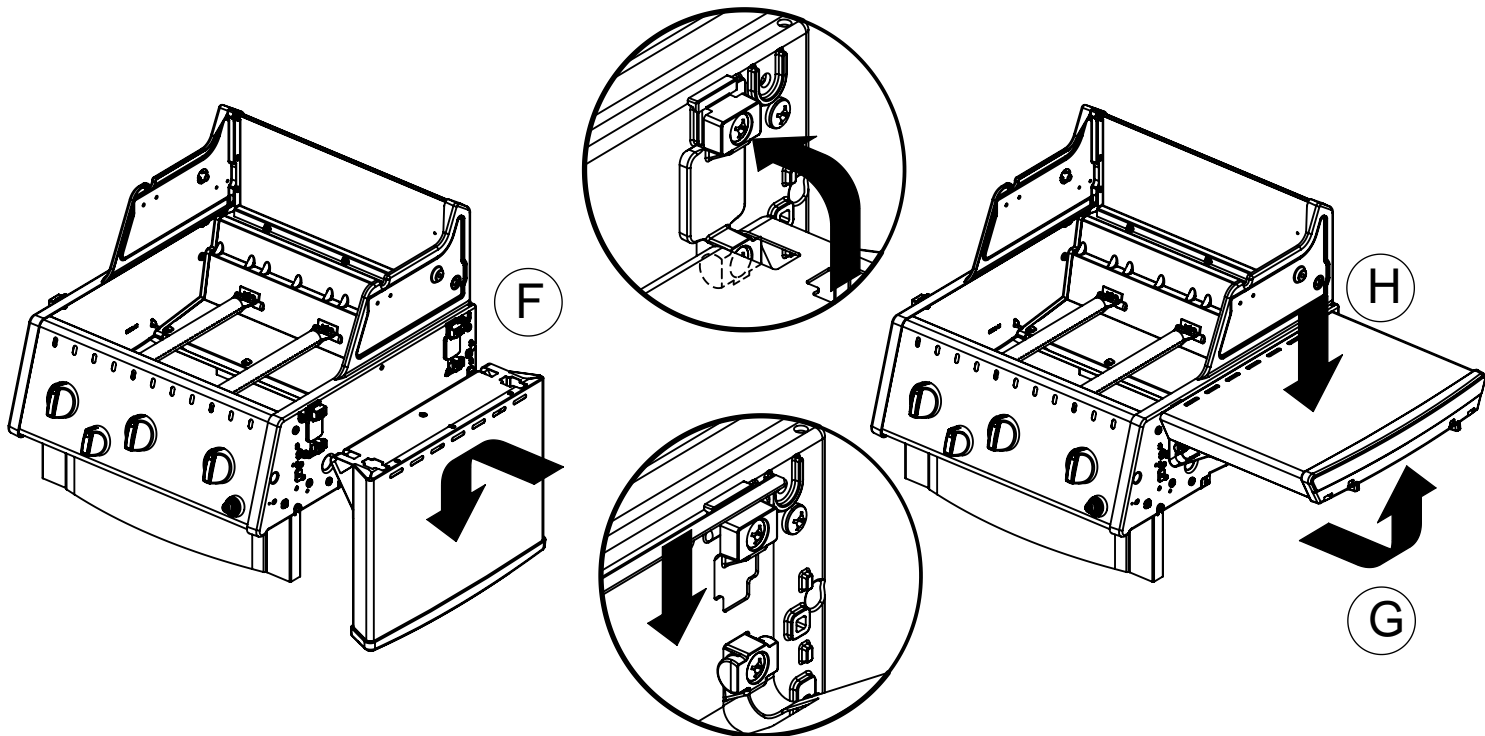
çì



-	
---	--

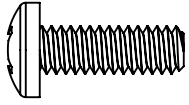


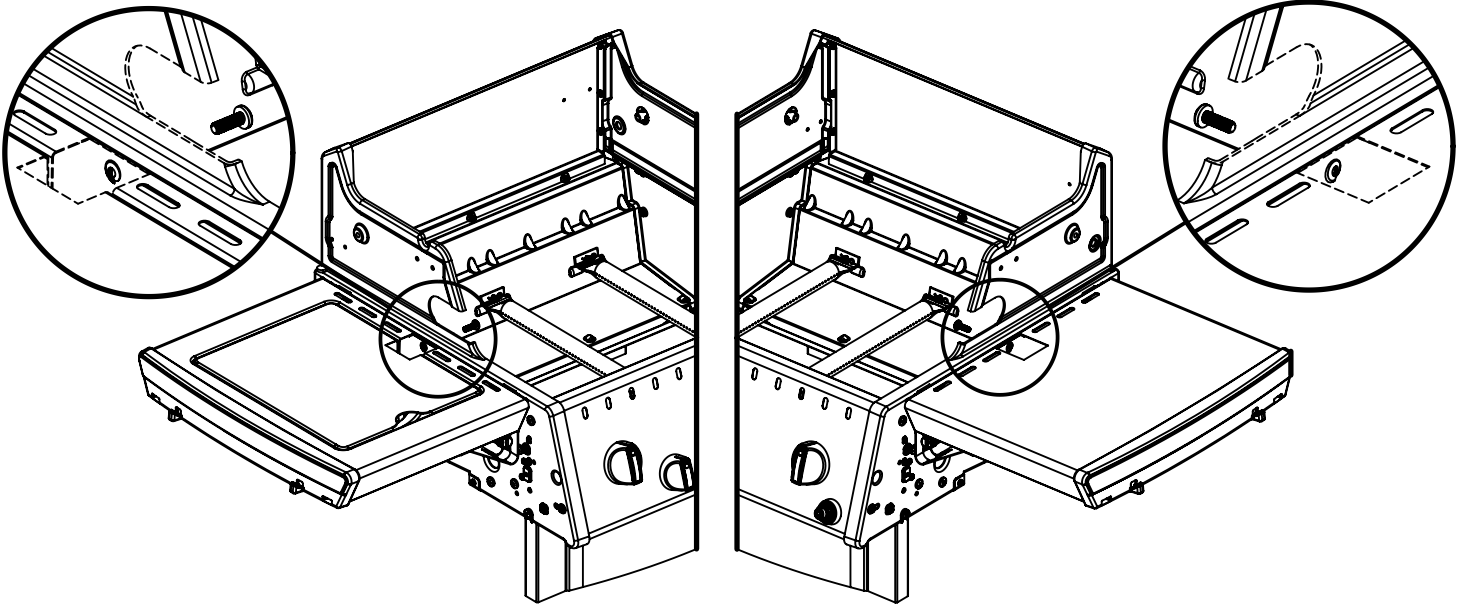
%\$	
-----	--



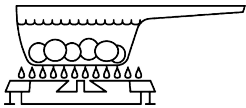


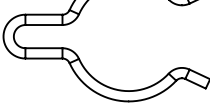
11

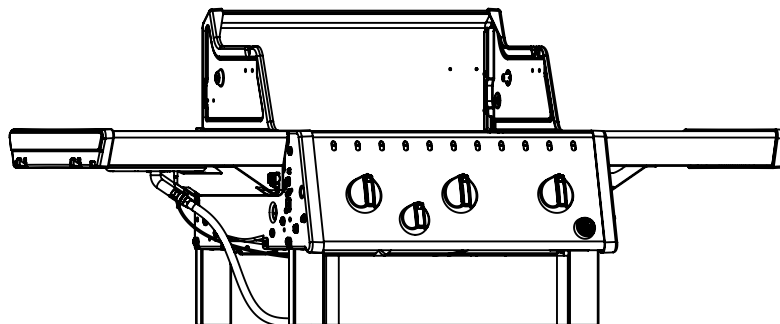
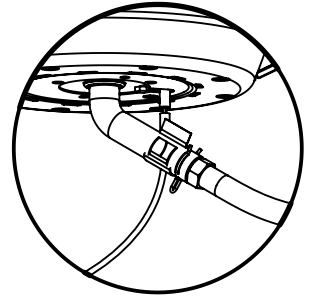
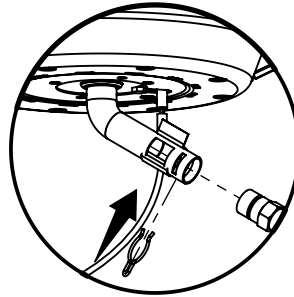
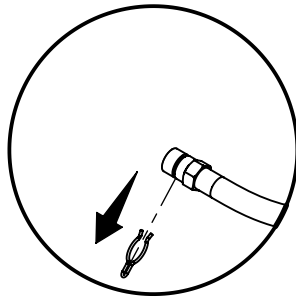
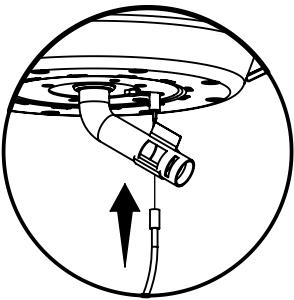
(2) 



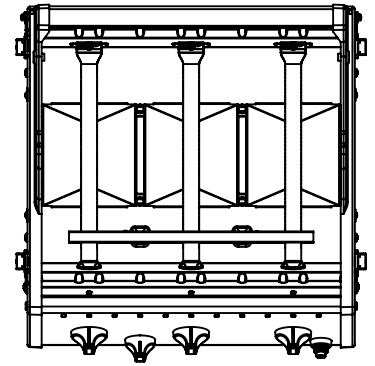
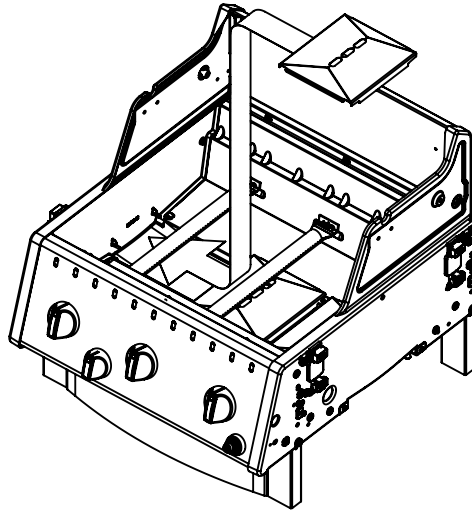
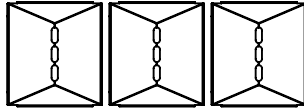
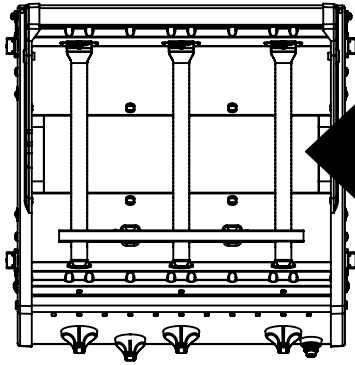
12



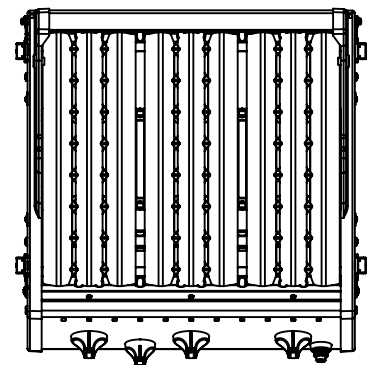
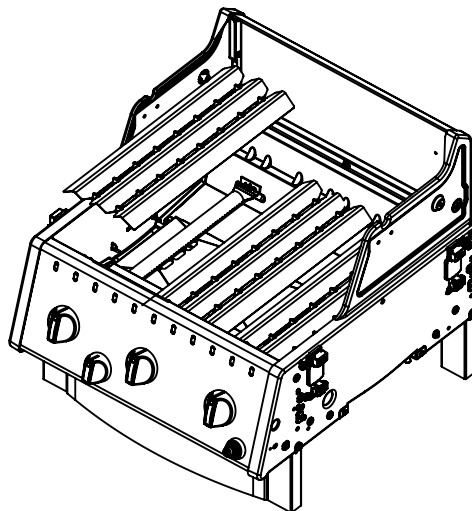
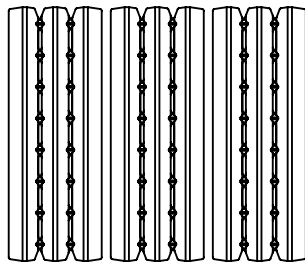
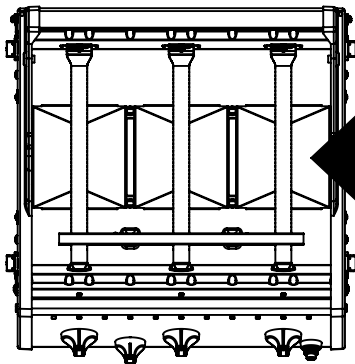
(1) 

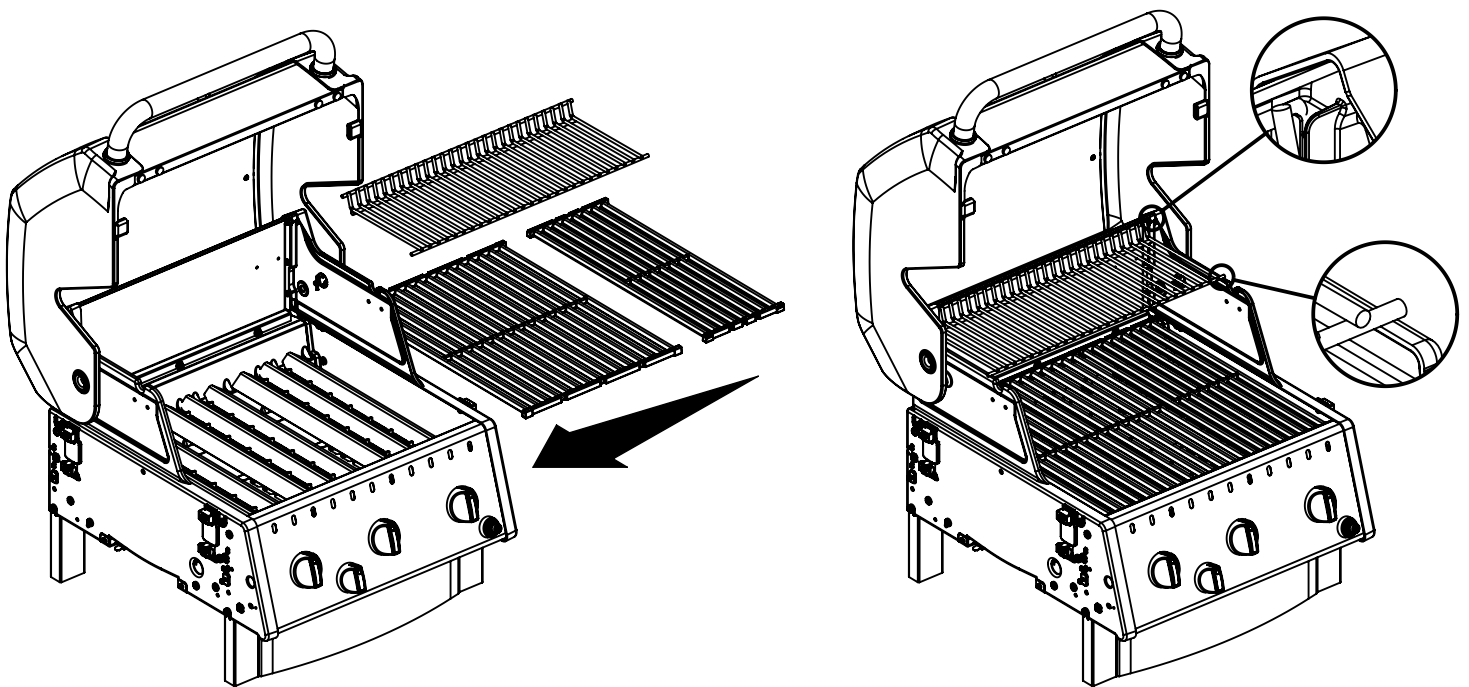
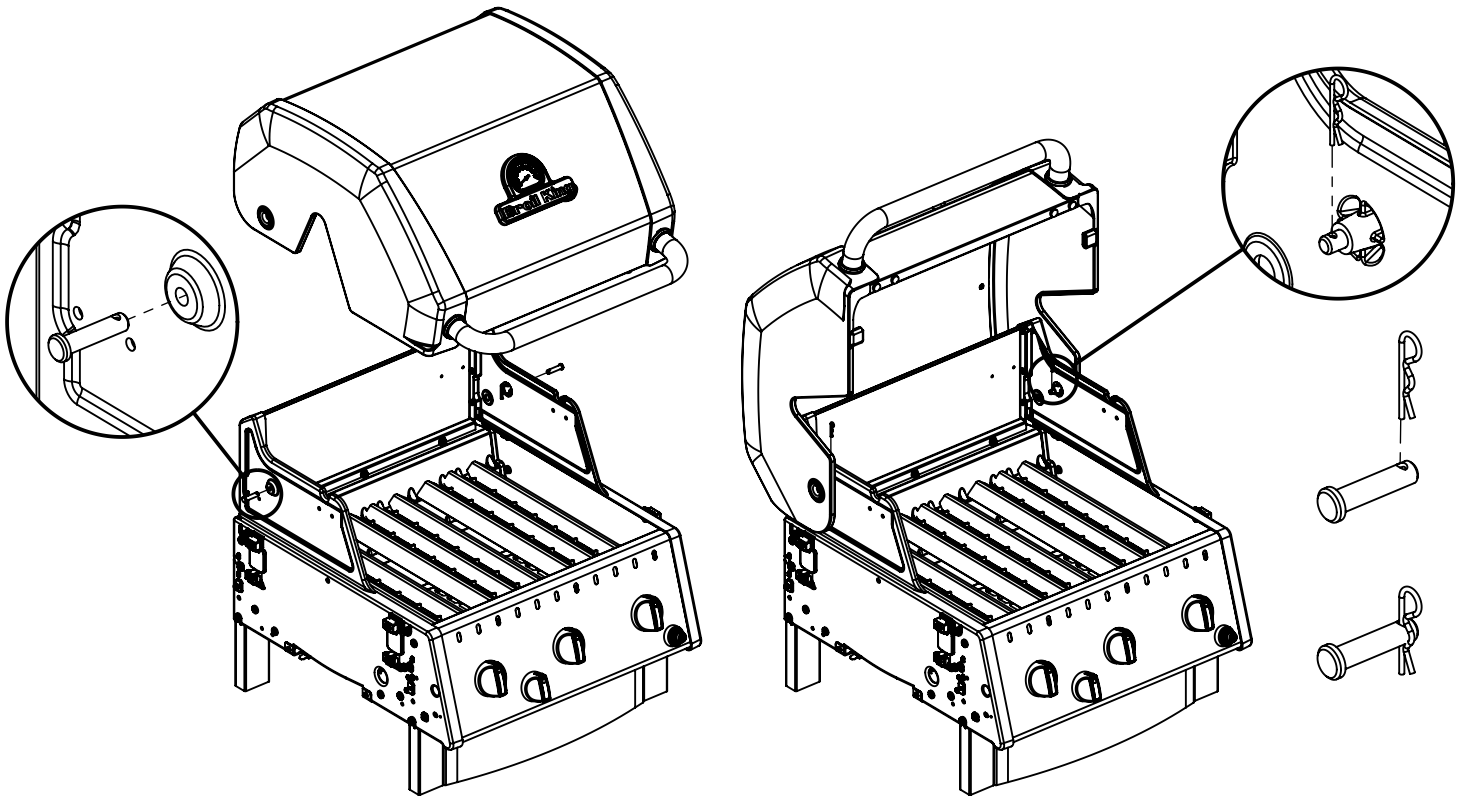
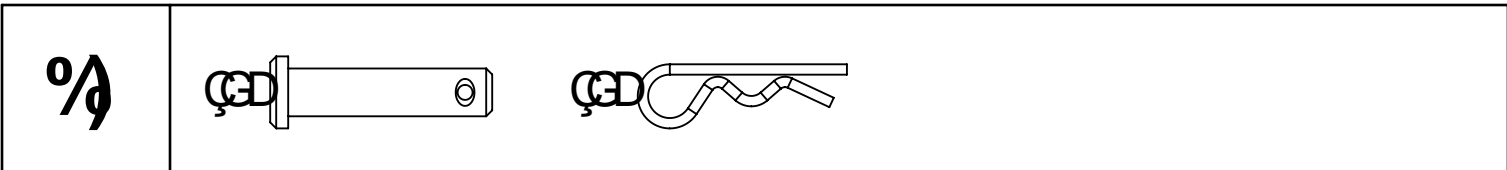


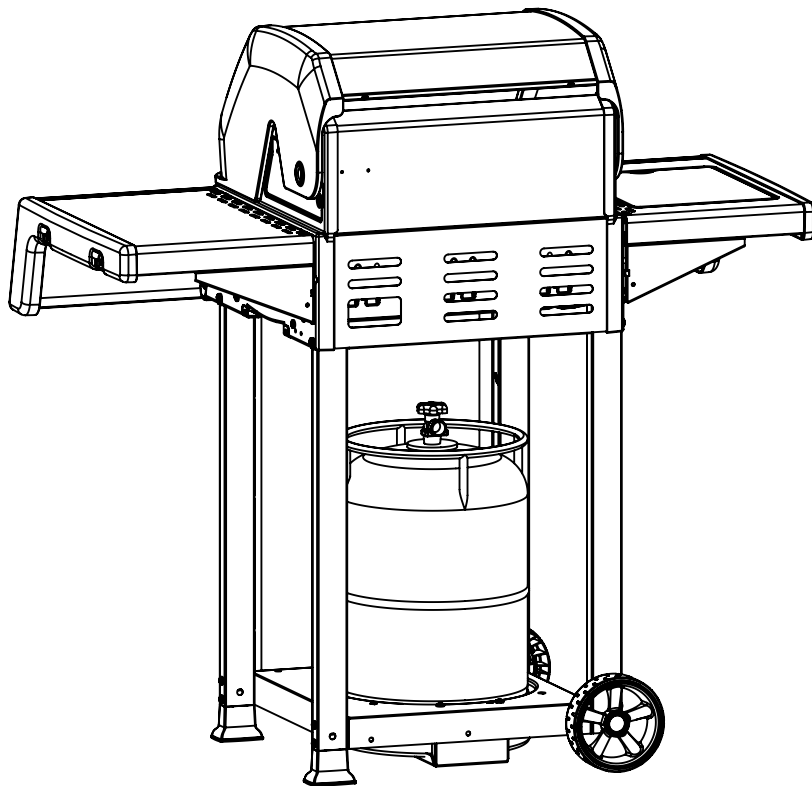
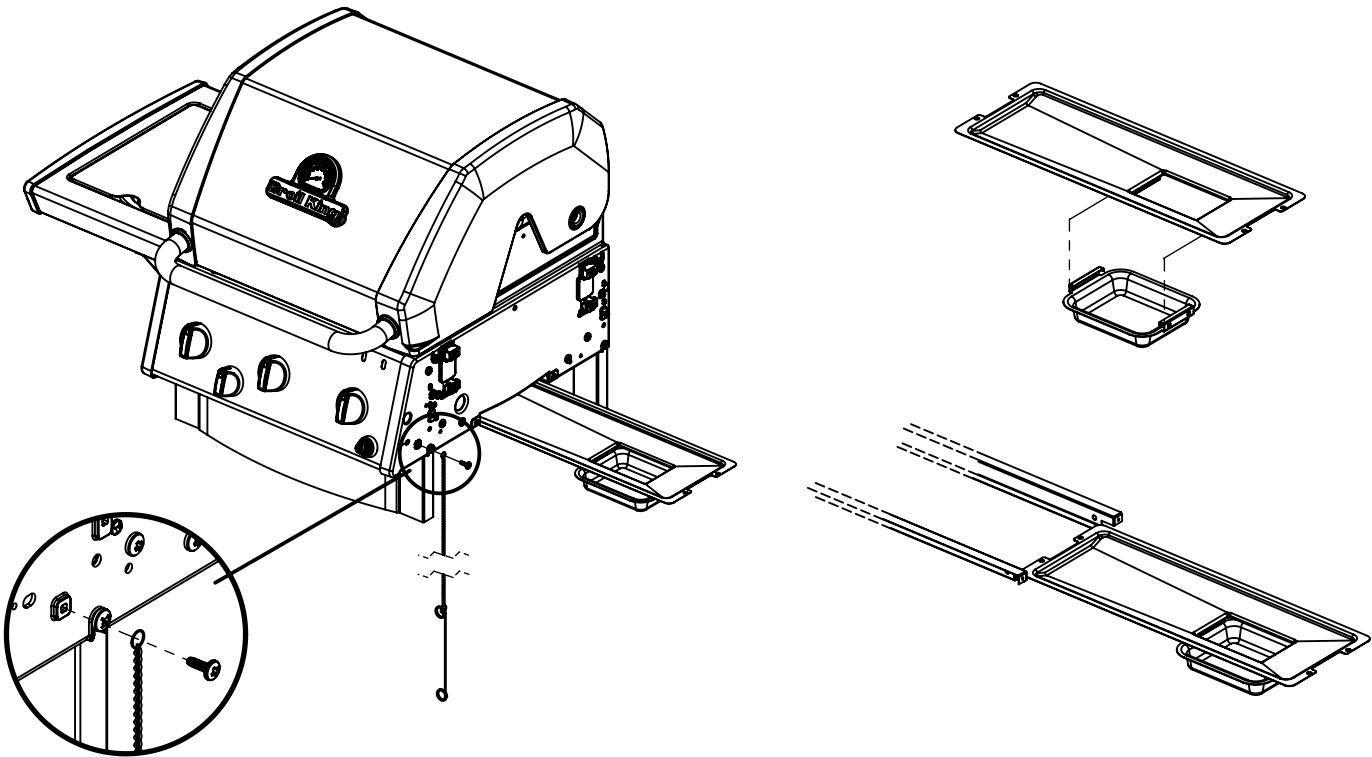
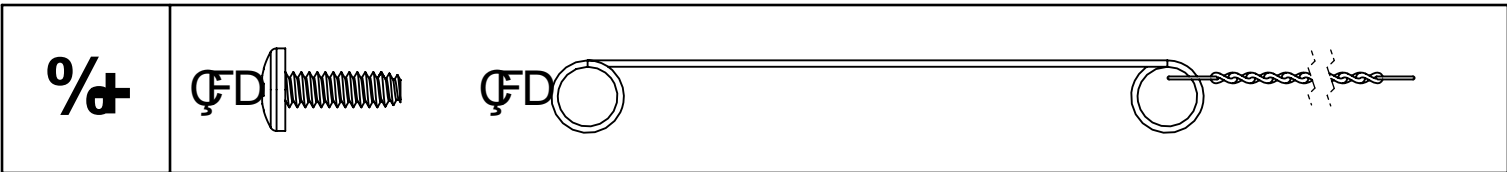
%



%







<u>KEY #</u>	<u>ITEM #</u>	<u>DESCRIPTION</u>	<u>9812-52</u>	<u>9812-53</u>	<u>9812-53NZ</u>	<u>9812-62</u>	<u>9812-63</u>
1	56004-801	LID	1	1	1	1	1
5	10081-BK630	NAMEPLATE	1	1	1	1	1
6	10571-6	HEAT INDICATOR	1	1	1	1	1
7	24004-12A	HANDLE	1	1	1	1	1
8	24009-936	HANDLE BEZEL	2	2	2	2	2
10	52104-004	FIREBOX	1	1	1	1	1
15	52224-014A	COLLECTOR BOXES	1	1	1	1	1
17	27249-90	GREASE SHEILD	3	3	3	3	3
19	10342-E13	ELECTRODE	2	2	2	2	2
21	21034-991	GREASE TRAY - RAIL	2	2	2	2	2
25	52909-144E	BURNER - MAIN	3	3	3	3	3
27	52023-244	CONTROL COVER	•	•	•	1	1
	52023-124		1	1	1	•	•
29	59004-035	CONTROL ASSEMBLY	•	•	•	•	1
	59004-032		•	•	•	1	•
	59004-015		•	1	•	•	•
	59004-012		1	•	•	•	•
	59004-014		•	•	1	•	•
30	S13473-079	HOSE - SIDE BURNER	•	•	•	•	1
	S13473-073		•	•	•	1	•
40	10472-K431	CONTROL KNOB	3	3	3	3	3
41	10472-K231	CONTROL KNOB	•	•	•	1	1
42	10342-245	ELECTRONIC IGNITOR	•	•	•	1	1
	10342-244		1	1	1	•	•
47	57055-901	GREASE TRAY	1	1	1	1	1
49	52009-901	GREASE PAN	1	1	1	1	1
50	52209-404	FLAV-R-WAVE ®	3	3	3	3	3
52a	52007-181	GRID – SINGLE	1	1	1	1	1
52b	52002-181	GRID – DOUBLE	1	1	1	1	1
54	52004-091	GRID - WARMING RACK	1	1	1	1	1
60	51084-111	FRONT PANEL	1	1	1	1	1
61	51209-101	LEG	4	4	4	4	4
63	52340-202	LEG – BRACKET	4	4	4	4	4
65	51694-131R	CABINET - LOWER BASE	1	1	1	1	1
67	21039-301	TANK BRACKET	1	1	1	1	1
72	51429-158	LEG PLUG	2	2	2	2	2
74	10892-608	WHEEL	2	2	2	2	2
75	10240-13	WHEEL – PIN	2	2	2	2	2
76	32001-152	WHEEL – CAP	2	2	2	2	2
80	50711-E111A	SIDE SHELF – RIGHT	2	2	2	1	1
82	50711-E131A	SIDE SHELF - SIDE BURNER	•	•	•	1	1
86	10390-E10E	SIDE BURNER	•	•	•	1	1
87	53004-271	SIDE BURNER - BODY	•	•	•	1	1
88	53000-251	SIDE BURNER - COVER	•	•	•	1	1
89	63139-981	SIDE BURNER GRID	•	•	•	1	1
92	10342-T21	SIDE BURNER ELECTRODE	•	•	•	1	1
125	Y-12835	SCREW - #6 X 1/4	•	•	•	2	2
127	S21125	SCREW - #8 X 3/8	3	3	3	3	3
129	S21124	SCREW - #8 X 1/2	6	6	6	6	6
130	Y-12646	SCREW - SHOULDER #8 X 1/2	2	2	2	2	2
131	S21136	SCREW - #8-32 X 1 /2	8	8	8	10	10
135	S35094	SCREW - #10-24 X 5/8	1	1	1	1	1
136	Y-29310	SCREW - #10-24 X 3/4	6	6	6	6	6
140	Y-12865	SCREW - 1/4-20 X 1/2	6	6	6	6	6
141	Y-12310	SCREW - 1/4-20 X 3/4	8	8	8	8	8
142	Y-12860	SCREW - 1/4-20 X 1	2	2	2	2	2
143	Y-11562	SCREW - 1/4-20 X 2-3/8	8	8	8	8	8
150	Y-11973	NUT – 1/4-20	4	4	4	4	4
169	Y-11230	RETAINER CLIP	•	•	•	1	1
170	S21235	HINGE PIN	2	2	2	2	2
171	S21233	CLIP	4	4	4	4	4
180	SP25-11	LID BUMPER	2	2	2	2	2
181	Y-11231	LID BUMPER - ROUND	4	4	4	4	4
182	20005-000	MATCH LIGHT CHAIN	1	1	1	1	1
186	Y-11544	BURNER SCREW	3	3	3	3	3
187	S21242	CLIP	3	3	3	3	3

